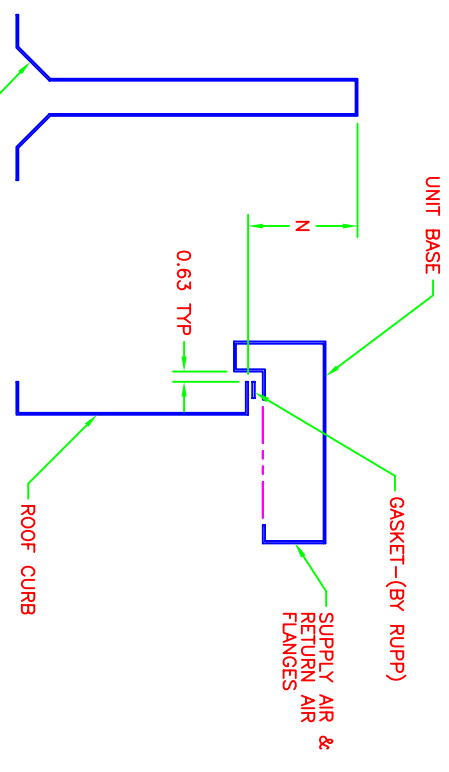


**\*\*REQUIRED OPENINGS**  
 O-RETURN AIR  
 O-SUPPLY AIR  
 O-NEITHER



MODEL NO	A	B	C	D	E	F	G	H	J	K	L	M	N	P
222	95	141	14	17	27.50	27.50	3.25	123.75	11.63	13.50	5	77	7.50	3.25
225	95	141	14	13	31.50	31.50	3.25	123.75	12.88	13.50	5	88	7.50	3.25
227	95	151	14	17	34.50	34.50	3.25	133.75	14.50	15.50	5	96	9.50	3.25
230	95	151	14	13	37	37	3.25	133.75	16	15.50	5	104	9.50	3.25

37210021

DRAWN BY: TKL  
 DATE: 02/10/00  
 APPROVED BY: \_\_\_\_\_  
 DATE: \_\_\_\_\_

REV	TITLE	REVISION DESCRIPTION	ECH NO	DWG	DATE
001	RAM 222 THRU 230 14" HIGH STEEL ROOF CURB	REMOVED 233 & 236	1357	EDW	4-29-2000
TOLERANCES 2 PLCS ±.03 3 PLCS ±.015					

RAM 222 THRU 230 14" HIGH STEEL ROOF CURB  
 RIGHT HAND UNIT (H1 H2 & H3)